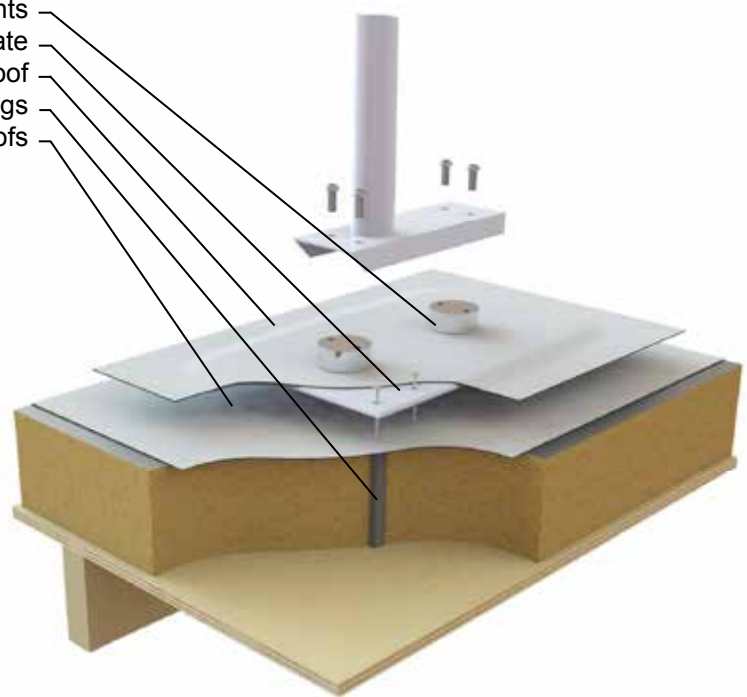


Fixing Point for Balustrades

Key features

- 2 no connection points
- 6mm thick fixing plate
- Flange membrane to suit roof
- Spacer bar for fixings
- Can be installed on existing roofs



Compatibility

Roof construction type	
Warm roof	✓
Cold Roof	✓
Inverted Roof	x
Roof covering type	
Single ply	✓
SBS/APP	✓
GRP	✓
Hot melt	✓
Liquid applied	✓
Membrane composite	✓
Hard metal	x
Trapezoidal	x
Aluminium	x
Retrofit	
Retrofit to existing roof	✓

Availability: Allow 3/4 weeks from order

Critical Dimensions

OA Height	45mm
Fixings	12 no holes in fixing plate
IFP-B Fixing plate	450mm x 320mm
No of fixing points	2 no at 240mm centres

Fixing Point for balustrades

ProTrak B is a unique, patent pending product which provides a low profile fixing point for all membrane and liquid applied roof coverings.

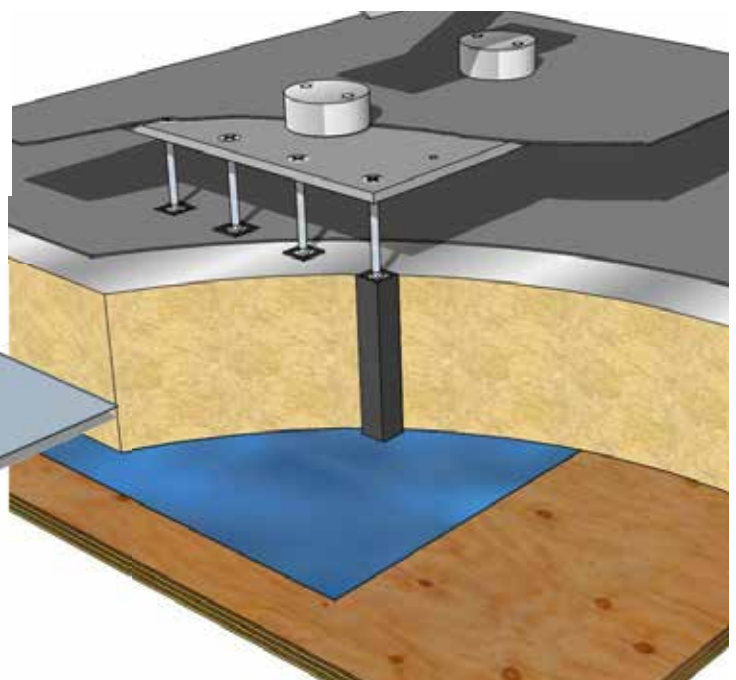
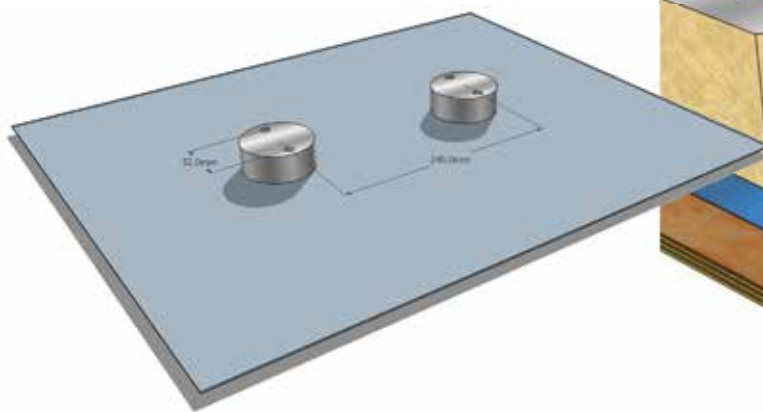
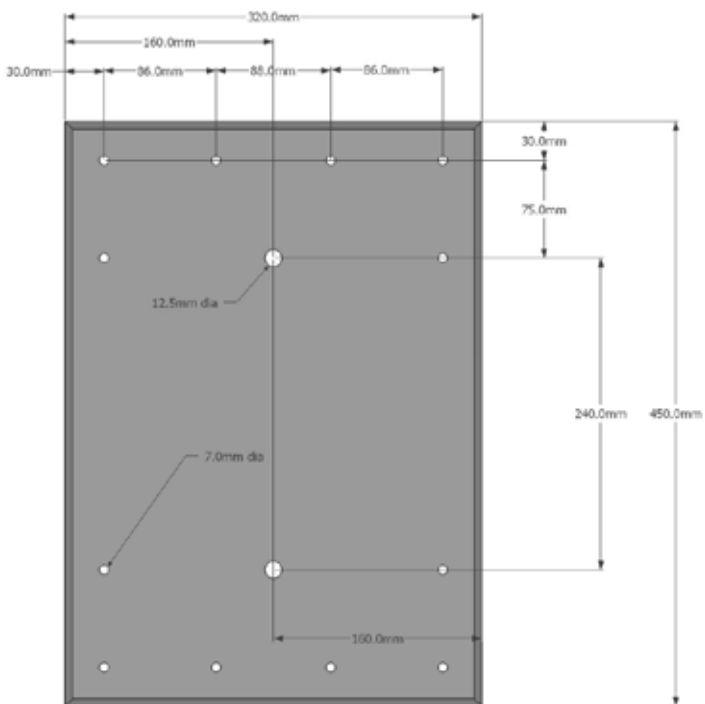
It is supplied pre-assembled with a compatible flange material for roofing system and is then fixed through the new or existing roof covering to the roof deck below.

ProTrak B has two fixing points to provide a secure fixing point providing axial and lateral restraint and can be used as part of a calculated designed for the support of balustrade and handrail installations.

Use for

Component part of handrail and balustrade installations.

Fixings for rainscreen and cladding applications



Dimensions

Plate material	mild steel
Plate size	320mm x 450mm
Plate thickness	6mm
Plate finish	PPC
Plate fixing holes	12 no 7mm \varnothing
Fixing point centres	240mm & 52mm
Fixing points	4 no M10 x 20mm
OA height	40mm

