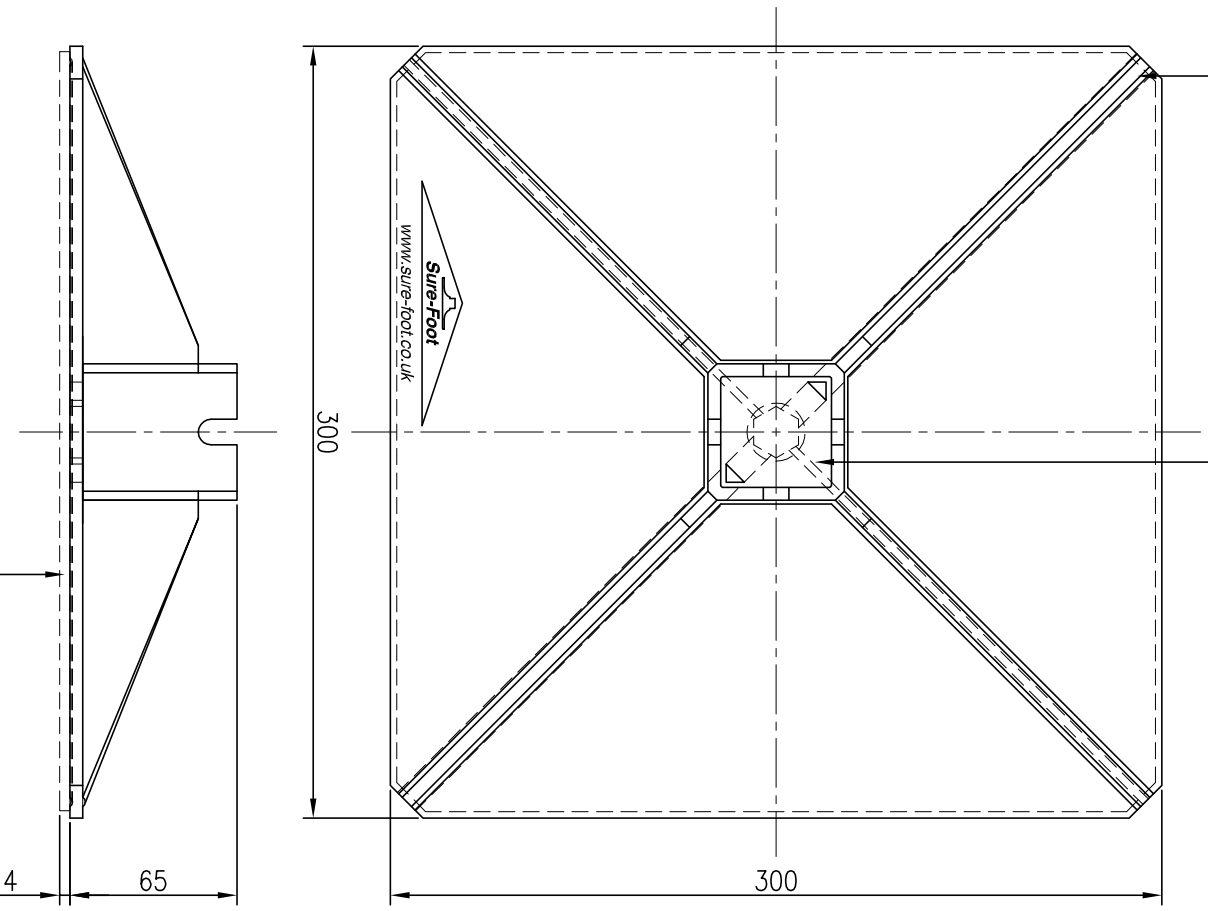


FIRST ANGLE PROJECTION - DO NOT SCALE - IF IN DOUBT ASK - ALL MEASUREMENTS IN MM - REMOVE ALL SHARP EDGES - TOLERANCES UNLESS STATED LINEAR±0.5 TOL/ ANGULAR±0.5 DEG.

DRAINAGE CHANNELS TO  
UNDERSIDE OF GRP FOOT  
DESIGNED TO SUIT  
41x41 STRUT SUPPLIED  
BY OTHERS



REMARKS: © COPYRIGHT ROOF-PRO LTD

THIS DRAWING IS INDICATIVE OF THE SURE-FOOT RANGE OF STANDARD COMPONENTS ONLY. IT IS THE CLIENT'S RESPONSIBILITY TO ENSURE THE USE OF THESE COMPONENTS IS SUITABLE FOR THEIR SPECIFIC REQUIREMENTS.



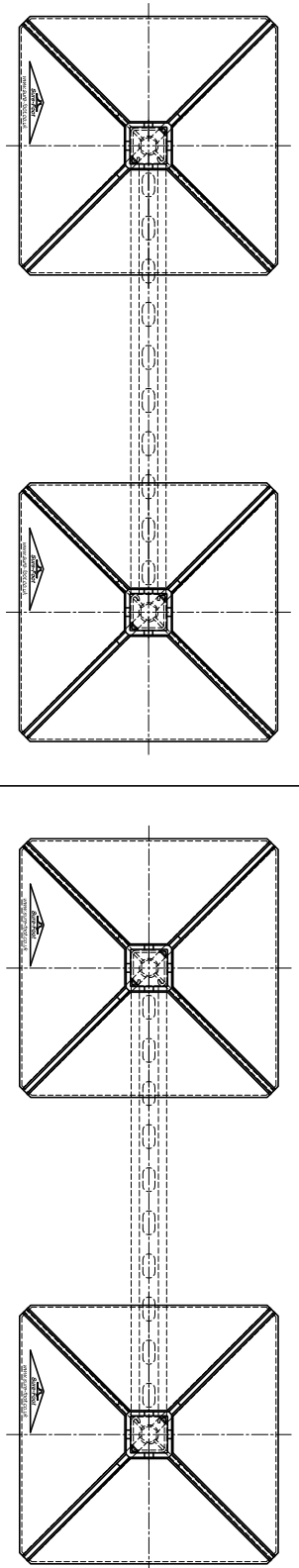
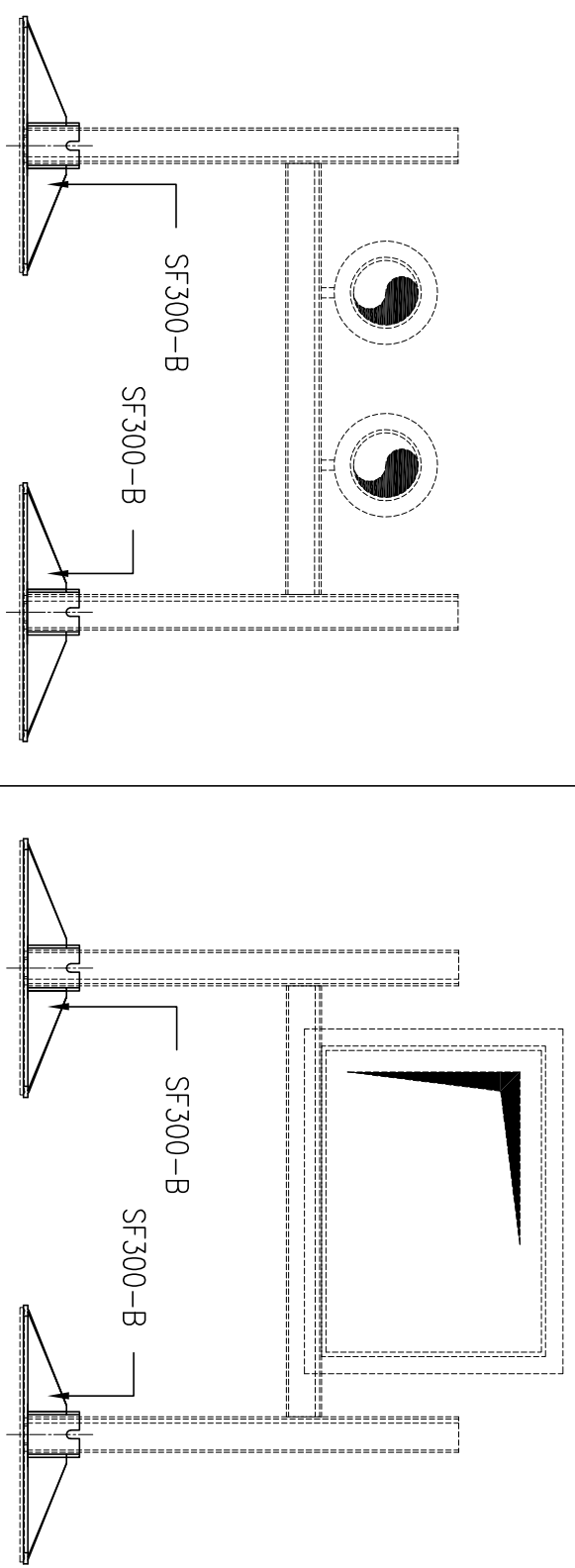
Polwell Lane, off Station Road  
Burton Latimer, NN15 5PS, UK  
Tel: +44 (0)1536 383 865  
Email: surefoot@roof-pro.co.uk  
Website: www.roof-pro.co.uk

PRODUCT:  
**300 BASE**



SCALE @ A4:	NTS
DRAWN BY:	CAD
DATE:	01/04/14
CHECKED BY:	CAD
DATE:	01/04/14
DRAWING No.	SF300-B 1
REV:	-

REMARKS:  
 THIS DRAWING IS INDICATIVE OF THE SURE-FOOT RANGE OF STANDARD COMPONENTS ONLY. IT IS THE CLIENT'S RESPONSIBILITY TO ENSURE THE USE OF THESE COMPONENTS IS SUITABLE FOR THEIR SPECIFIC REQUIREMENTS.




TYPICAL PIPEWORK SUPPORT EXAMPLE  
 ORDER REQUIREMENTS 2x SF300-B  
 NOTE: ALL STRUT & ASSOCIATED MATERIALS BY OTHERS

TYPICAL DUCTWORK SUPPORT EXAMPLE  
 ORDER REQUIREMENTS 2x SF300-B  
 NOTE: ALL STRUT & ASSOCIATED MATERIALS BY OTHERS

**ROOF-PRO**

Polwell Lane, off Station Road  
 Burton Latimer, NN15 5PS, UK  
 Tel: +44 (0)1536 383 865  
 Email: surefoot@roof-pro.co.uk  
 Website: www.roof-pro.co.uk

PRODUCT:  
**300 BASE**  
 TYPICAL APPLICATIONS



SCALE @ A4:	NTS
DRAWN BY:	CAD
DATE:	01/04/14
CHECKED BY:	CAD
DATE:	01/04/14
DRAWING No.	SF300-B 2
REV:	-