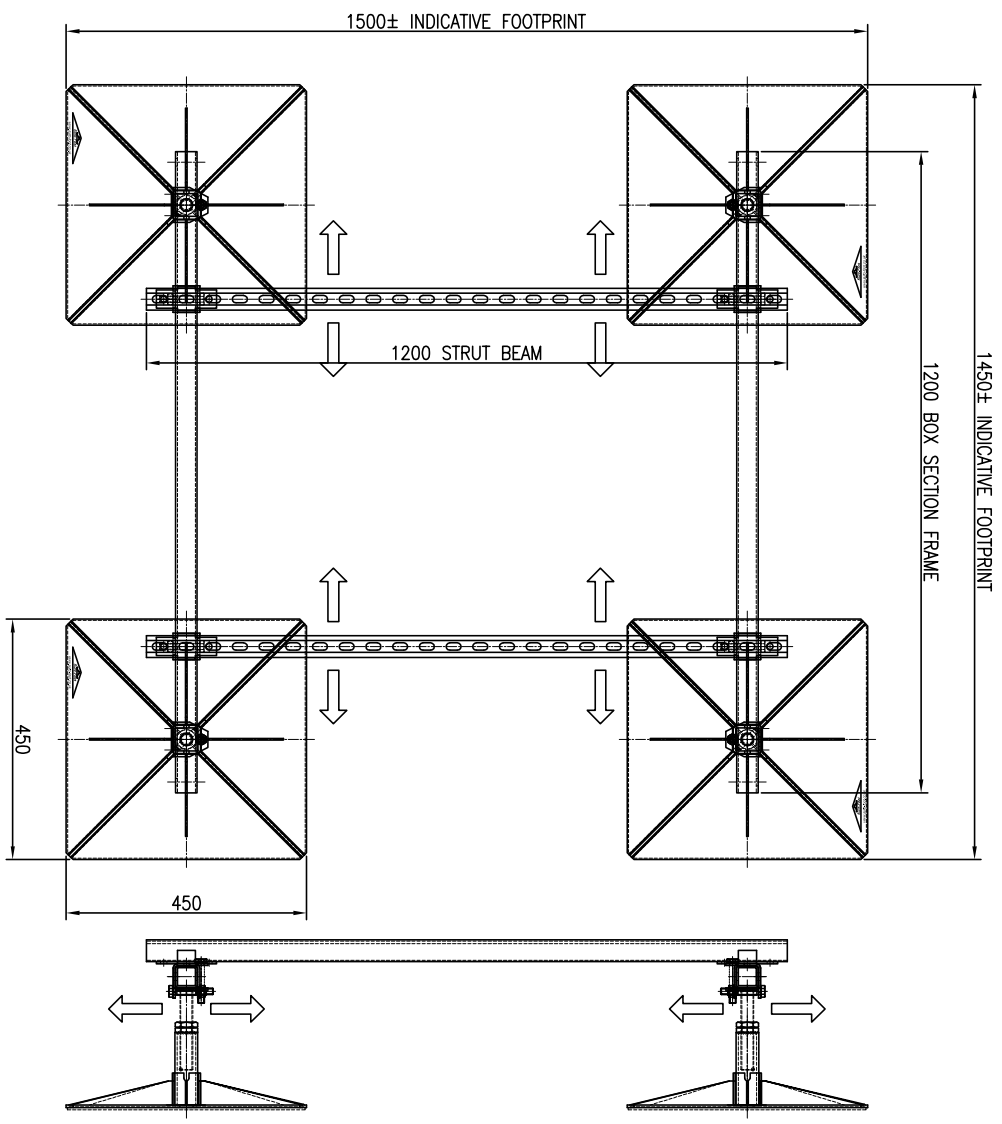
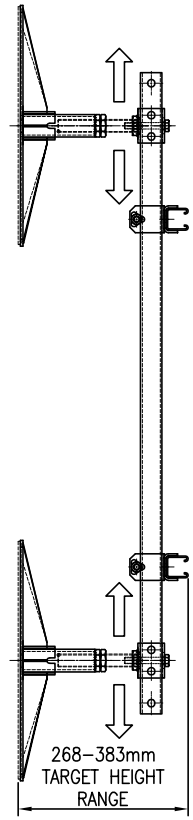


FIRST ANGLE PROJECTION - DO NOT SCALE - IF IN DOUBT ASK - ALL MEASUREMENTS IN MM - REMOVE ALL SHARP EDGES - TOLERANCES UNLESS STATED LINEAR±0.5 TOL/ ANGULAR±0.5 DEG.

THREADED LEGS & STRUT BEAMS
ADJUSTABLE ALONG FRAME WIDTH & DEPTH
TO SUIT RANGE OF APPLICATIONS



PRODUCT REFERENCE: SF450-F4-1.2M
- TYPICAL ASSEMBLED COMPONENTS

© COPYRIGHT ROOF-PRO LTD

REMARKS:
THIS DRAWING IS INDICATIVE OF THE SURE-FOOT RANGE OF STANDARD COMPONENTS ONLY. IT IS THE CLIENT'S RESPONSIBILITY TO ENSURE THE USE OF THESE COMPONENTS IS SUITABLE FOR THEIR SPECIFIC REQUIREMENTS.

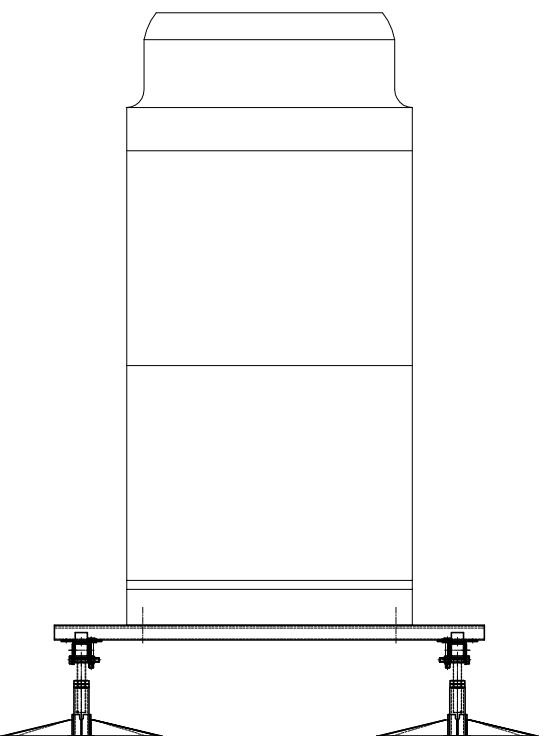
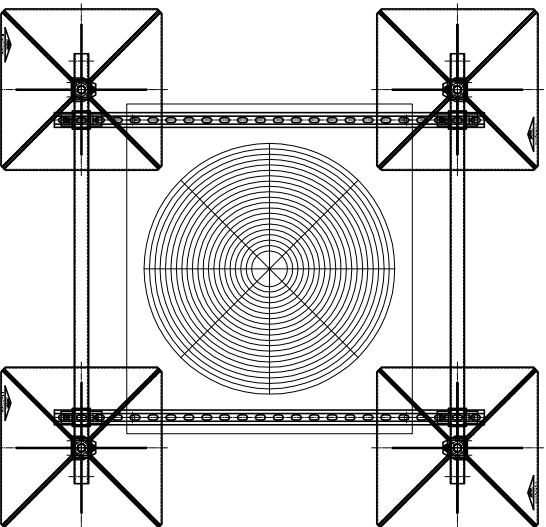
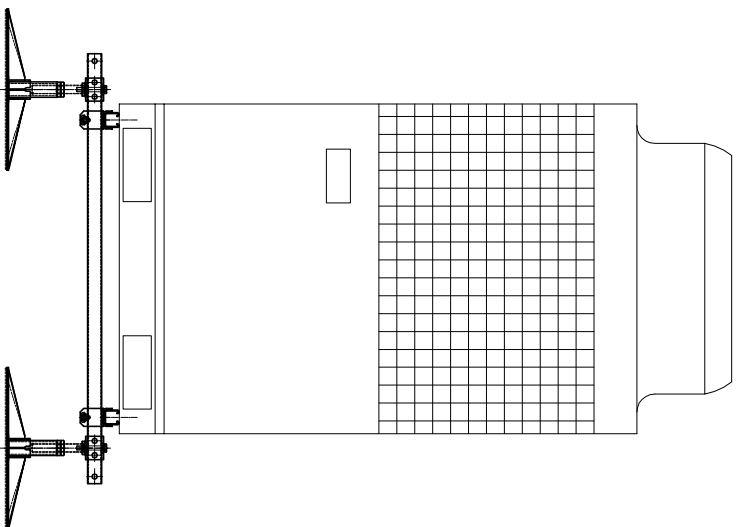


Polwell Lane, off Station Road
Burton Latimer, NN15 5PS, UK
Tel: +44 (0)1536 383 865
Email: surefoot@roof-pro.co.uk
Website: www.roof-pro.co.uk

PRODUCT:
450 (4 LEG) FRAME (1.2M)



SCALE @ A4:	NTS
DRAWN BY:	CAD
DATE:	01/04/14
CHECKED BY:	CAD
DATE:	01/04/14
DRAWING No.	SF450-F4-1.2M 1
REV:	-



REMARKS: © COPYRIGHT ROOF-PRO LTD

THIS DRAWING IS INDICATIVE OF THE SURE-FOOT RANGE OF STANDARD COMPONENTS ONLY. IT IS THE CLIENT'S RESPONSIBILITY TO ENSURE THE USE OF THESE COMPONENTS IS SUITABLE FOR THEIR SPECIFIC REQUIREMENTS.



Polwell Lane, off Station Road
 Burton Latimer, NN15 5PS, UK

Tel: +44 (0)1536 383 865
 Email: surefoot@roof-pro.co.uk
 Website: www.roof-pro.co.uk

PRODUCT:
 450 (4 LEG) FRAME (1.2M)
 TYPICAL APPLICATION



SCALE @ A4:	NTS	
DRAWN BY:	CAD	
DATE:	01/04/14	
CHECKED BY:	CAD	
DATE:	01/04/14	REV:
DRAWING No.	SFA50-F4-1.2M 2	-