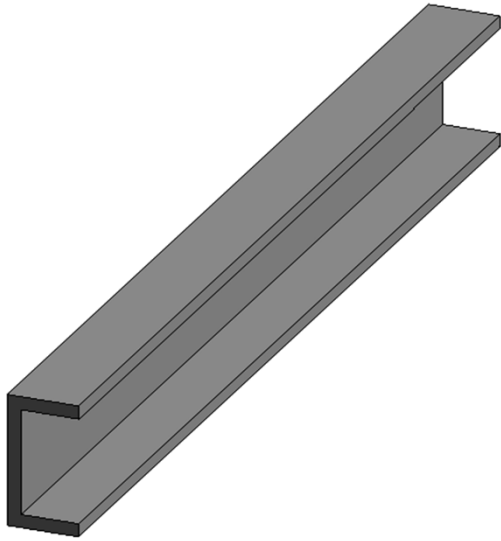


Roof-Pro LTD.
Steel C Beam



Family Types

Name:

| Parameter | Value | Formula |
|----------------------|--|---------|
| Dimensions | | |
| Length (default) | 250.0 | = |
| Identity Data | | |
| URL | www.roof-pro.co.uk | = |
| Type Comments | SITE SURVEY AVAILABLE | = |
| Telephone | +44 (0) 1234 843 790 | = |
| Model | Steel C Beam | = |
| Manufacturer | Roof-Pro LTD | = |
| Fax | +44 (0) 1234 856 259 | = |
| Email | cad@roof-pro.co.uk | = |
| Description | Roof-Pro Steel C Beam | = |
| Address | P.O.Box 505, Kempston, Bedford MK42 7LQ, England | = |
| Keynote | | = |
| Assembly Code | | = |
| Cost | | = |

Family Types

New...

Rename...

Delete

Parameters

Add...

Modify...

Remove

OK Cancel Apply Help