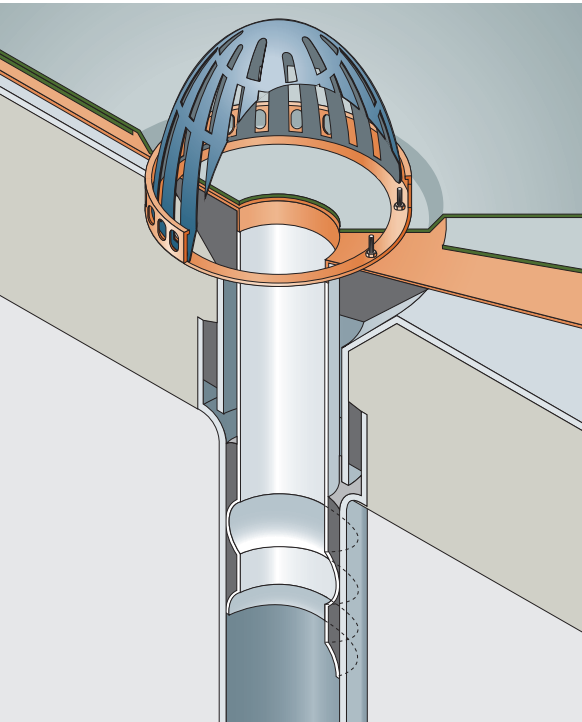


Uniclass	L7314
CISFB	(52.5)

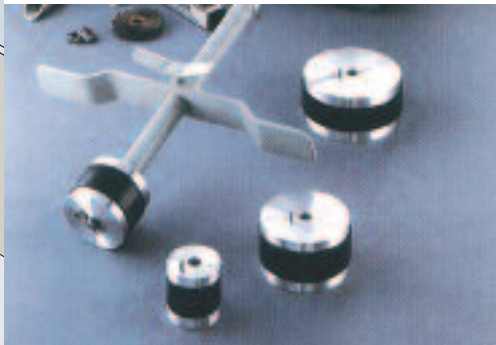


ROOF-PRO

ROOFTOP MANAGEMENT SYSTEMS



PROLINER



FLAT ROOF RAINWATER REFURBISHMENT OUTLETS

Tel: 01536 383865

PROLINER

FLAT ROOF RAINWATER REFURBISHMENT OUTLETS

ProLINER is a rainwater refurbishment outlet designed for flexibility and made from durable proven materials.

ProLINER has been designed where it is desirable to leave the existing outlet in place. ProLINER is sealed to the existing downpipe as a direct replacement for damaged outlets and vulnerable lead sleeve sections.

DESCRIPTION

ProLINER rainwater refurbishment outlets provide a new outlet without disruption and risk to the building interior.

Constructed from malleable copper and lead, ProLINER is easily adapted to fit virtually all situations and almost every type of outlet.

A secure triple protection is made using the expander tool with sealant. This forms an insitu 'O' ring that prevents harmful "back up" into the roof construction.

The clamping ring efficiently serves three functions:

- To physically seal the membrane to the outlet like a gasket.
- To prevent stone chippings or water borne debris from entering the downpipe.
- To hold the leaf guard in position and protect the downpipe from blockage.

ADVANTAGES

Large copper flange

- Good bonding area.
- Minimal 0.75mm thickness reduces build up.
- Easily dressed to fit close upstands.
- Suitable for cold roof and warm roof design.
- Compatible with bitumen, PVC and liquid coatings.

Clamping ring

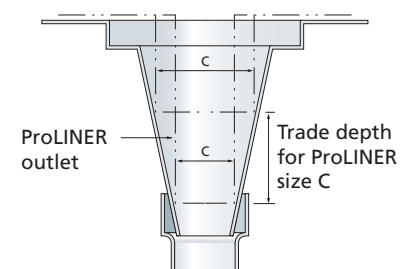
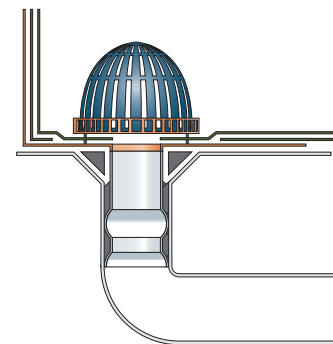
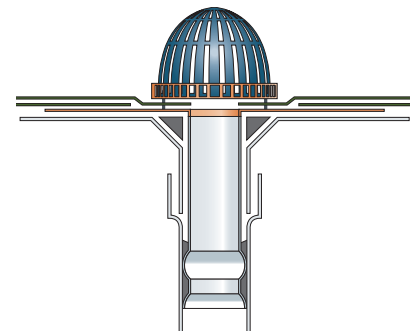
- Secures membrane to outlet.
- Provides gasket seal.
- Acts as gravel guard.
- Retains leaf guard.

Expander tool kit

- Cleans existing downpipe.
- Forms mechanical seal.
- Forms 'O' ring to match pipe.

Leaf guard

- Leaf guard protects downpipe from blockage (Available in PVC or aluminium).



Technical Data

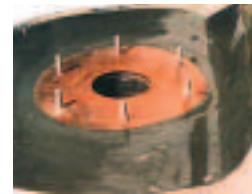
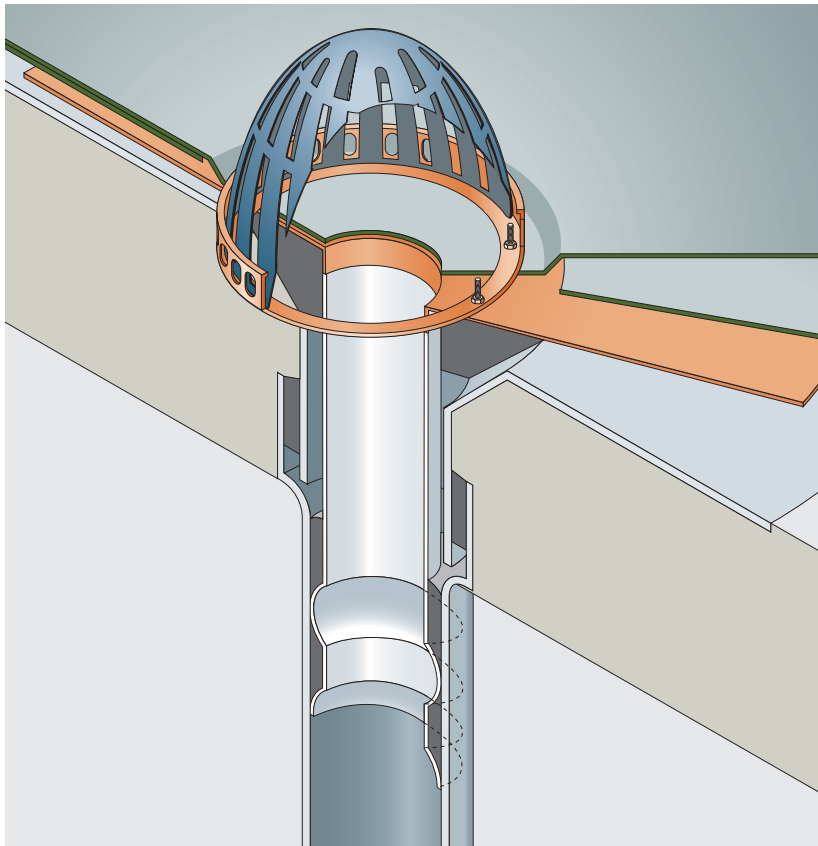
	Existing outlet or downpipe bore		ProLINER product description (ins)	ProLINER Outside Ø (mm)	Existing Internal Ø (I-D) ProLINER size range	
	Imperial (ins)	Metric (mm)			I-D min (mm)	I-D max (mm)
Wide Range	2½	64	2½	54	55	71
	3	76	3	71	72	80
	3½	89	3½	80	81	97
	4	102	4	97	98	105
	4½	114	4½	105	106	122
	5	127	5	122	123	130
	5½	140	5½	130	131	148
	6	152	6	148	149	165

NOTE:

1. Please state use with a membrane type ie, PVC, liquid or bitumen.
2. Standard ProLINER spigot length is 300mm. This can be reduced to suit site conditions.
3. ProLINER can be supplied with spigot extension on request.
4. The ProLINER spigot should ideally penetrate minimum 100mm within pipe/outlet to form the triple seal.
5. Use the maximum length of spigot possible.

PROLINER

FLAT ROOF RAINWATER REFURBISHMENT OUTLETS



The flange can be moulded and dressed to upstands.



Assembled in minutes, the fully adjustable ProLINER tool kit with the wire brush and scraper cleaning attachments.



The ProLINER sealant is coated 8mm thick around the last 100mm of the spigot end.

INSTALLATION

ProLINER with sealant is bedded into the outlet.

The step plate is set to form the first compression seal at the lowest part of the spigot.

The expander tool is inserted into the ProLINER spigot. Turning the handle causes the lower compression plate to travel towards the upper plate thereby expanding the rubber to form a compression seal in the spigot.

The step plate is adjusted to form the second compression seal 50mm above the first, moulding the sealant into an 'O' ring unique to the pipe's characteristics, preventing back up.



The expander tool is inserted into the ProLINER spigot to form the first and second compression seals.



The clamping ring physically seals the membrane to the ProLINER like a gasket.



Various size compression plates to fit the entire range from 64mm up to 152mm.



The new membrane is sealed to the ProLINER and the ProLINER is sealed to the existing drainage.

FREQUENTLY ASKED QUESTIONS

Q1 I have a 4" bore pipe and outlet.

A1 You need a 4" ProLINER.

Q2 I have an outlet at 95mm.

A2 You need a 4" ProLINER

Q3 The existing outlet is a lead sleeve.

A3 Remove the lead sleeve and install ProLINER into the down pipe.

Q4 There is a bend just after the outlet.

A4 Measure from the new waterproofing level to the top of the bend, cut spigot to suit. Adjust the expander tool step plate to form first expansion at the very end of the spigot.

Q5 The outlet has a high degree of draw into the down pipe.

A5 Trade spigot length and penetration to minimum for maximum ProLINER size.



E-MAIL ADDRESSES

sales@roof-pro.co.uk – orders & deliveries.

CAD@roof-pro.co.uk – drawings & estimating.

Firstname.surname@roof-pro.co.uk – area sales managers & technical support.

info@roof-pro.co.uk – all other inquiries.