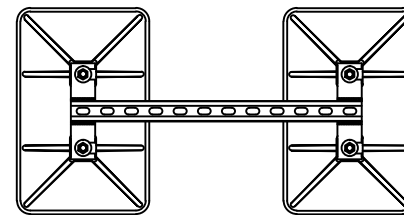
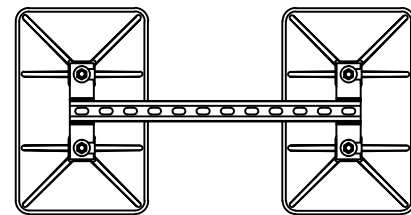
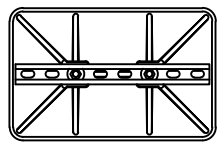
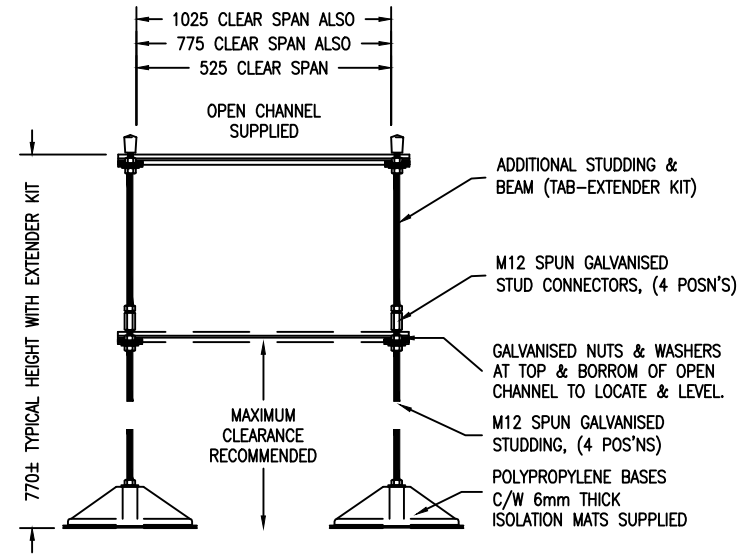
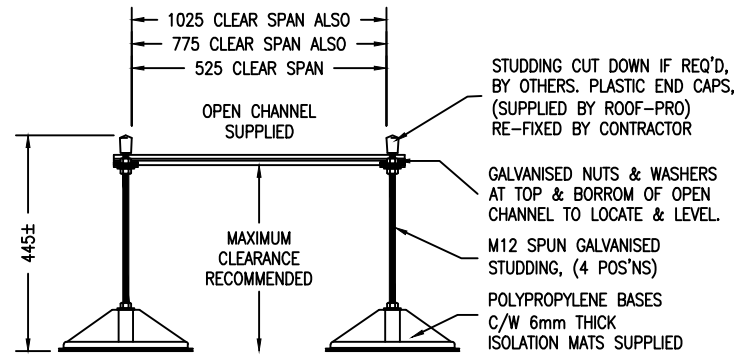
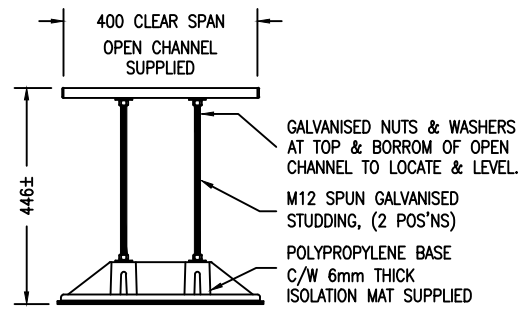


FIRST ANGLE PROJECTION — DO NOT SCALE — IF IN DOUBT ASK — ALL MEASUREMENTS IN MM — REMOVE ALL SHARP EDGES — TOLERANCES UNLESS STATED LINEAR±0.5 TOL/ ANGULAR±0.5 DEG.

REMARKS:



© COPYRIGHT ROOF-PRO

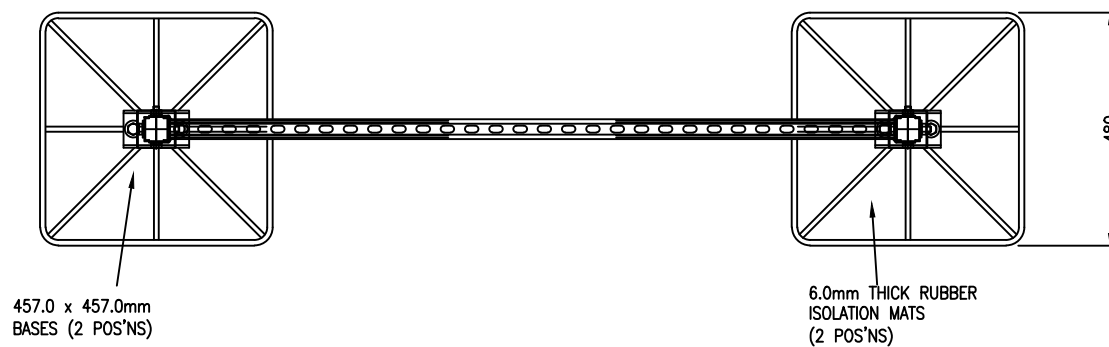
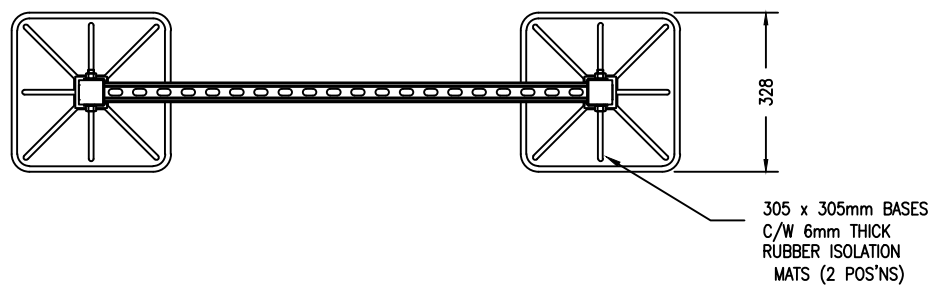
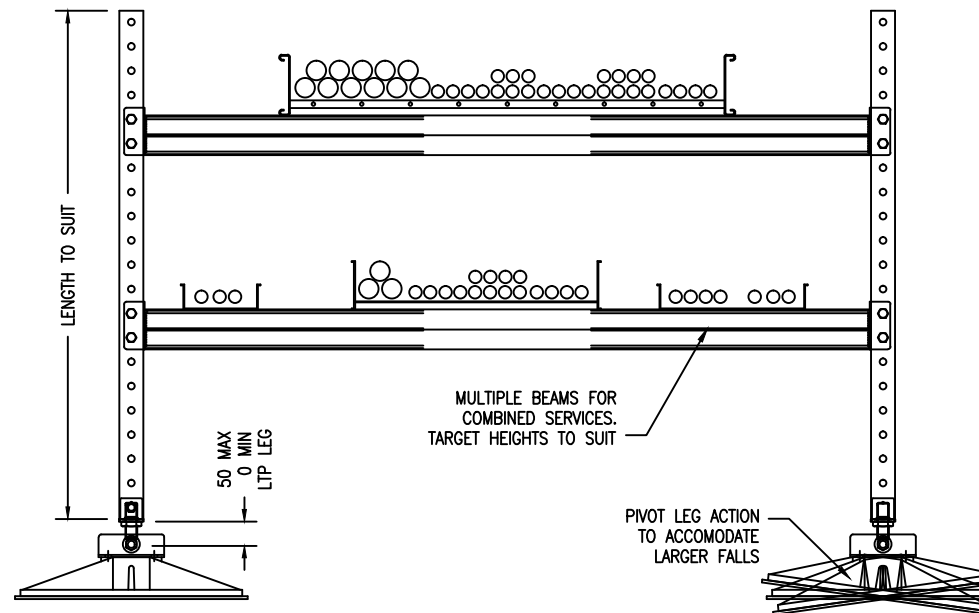
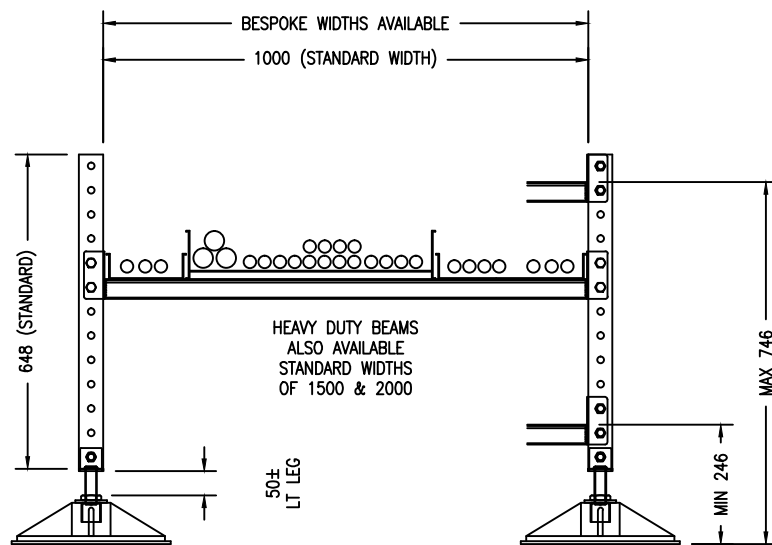
ISSUE 10	
ISSUE 9	
ISSUE 8	
ISSUE 7	
ISSUE 6	
ISSUE 5	
ISSUE 4	
ISSUE 3	02.03.16
ISSUE 2	19.10.11
ISSUE 1	14.04.11

**ROOF-PRO**  
ROOFTOP MANAGEMENT SYSTEMS

Polwell Lane, off Station Road  
Burton Latimer NN15 5PS, UK  
Tel: +44 (0)1744 648 400  
Email: cad@roof-pro.co.uk  
Website: www.roof-pro.co.uk

PRODUCT:  
RP-CABLE TRAY SUPPORT  
TYPICAL PRODUCT RANGE

MATERIAL/FINISH:  
  
MILD STEEL  
HOT DIP GALVANISED



SCALE @ A3:	N.T.S.
DRAWN BY:	CAD
DATE:	14/04/11
CHECKED BY:	CAD
DATE:	14/04/11
DRAWING No:	FT-004